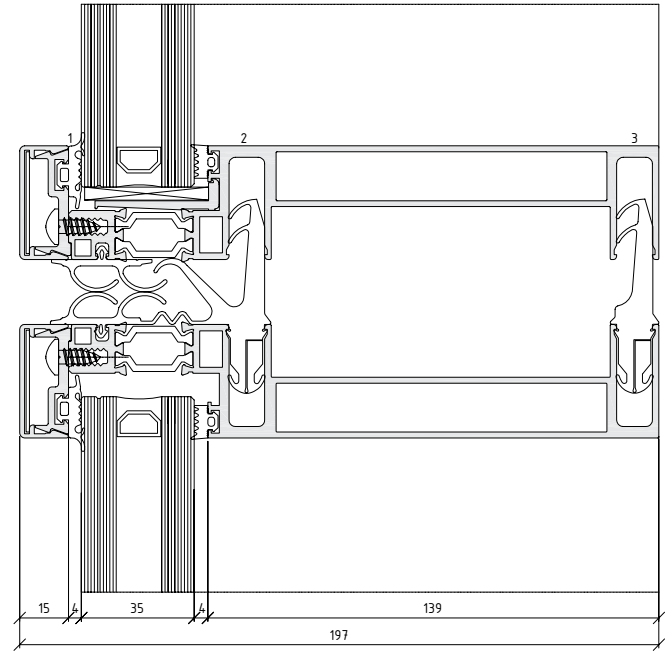
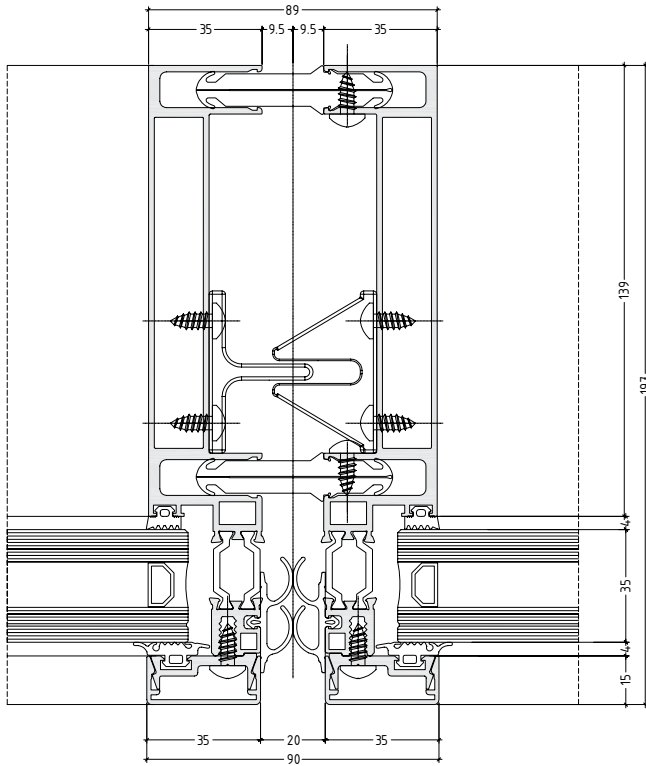




UNITIZED  
FAÇADE SYSTEM

**ETEM**

# EASY INSTALLATION WITHOUT SCAFFOLDING



## DETAILS

Various types of materials

Big variety of cladding solutions

90 mm system width

20 mm gap between modules, allowing movement and deformations up to 14 mm

High quality, factory - produced modules

Nearly 70% reduction in installation time

# E90

UNITIZED  
FAÇADE SYSTEM

## DESIGN

DESIGNED ACCORDING TO THE HIGH  
REQUIREMENTS FOR WIND LOAD

CUSTOM DESIGNED EPDM GASKETS

ADJUSTABILITY OF THE FIXING DEVICES

## MAIN ADVANTAGES

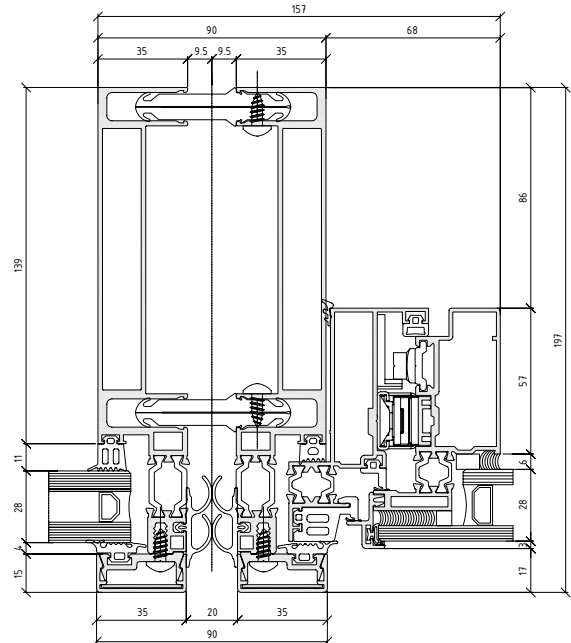
Manufacturing not dependent on weather conditions

Glass panels from 23 up to 40 mm thickness

Controlled drainage of rain water and condensation

High level of water tightness with four levels

Compatible with all ETEM window systems



[etem.com](http://etem.com)