


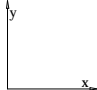
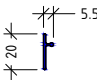
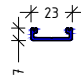
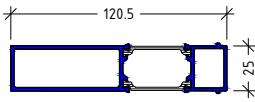
Technical Bulletin № 53 -2015.05

New additional profiles, accessory and gaskets, for system E45

- **profiles**
- **details**
- **accessory**
- **machining**

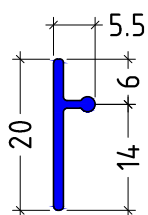
opening system with thermal break

E45

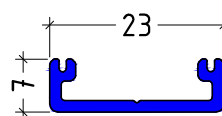
code		profile	weight length moment of inertia	code		profile	weight length moment of inertia
E62600			84.5 g/m L=6.01 m				
E40995			155.4 g/m L=6.01 m				
E50690			1550 g/m L=6.01 m				

L45-01

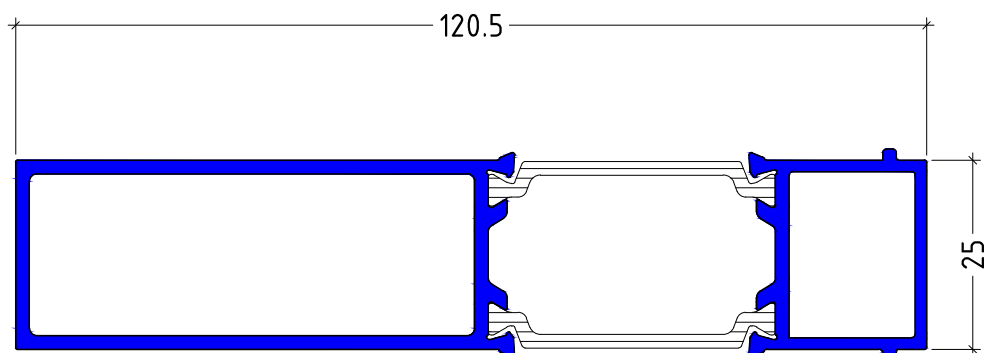
E62600
84.5 g/m



E40995
155.4 g/m

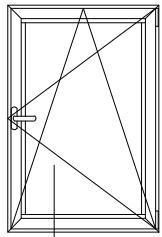


E50690
1550 g/m

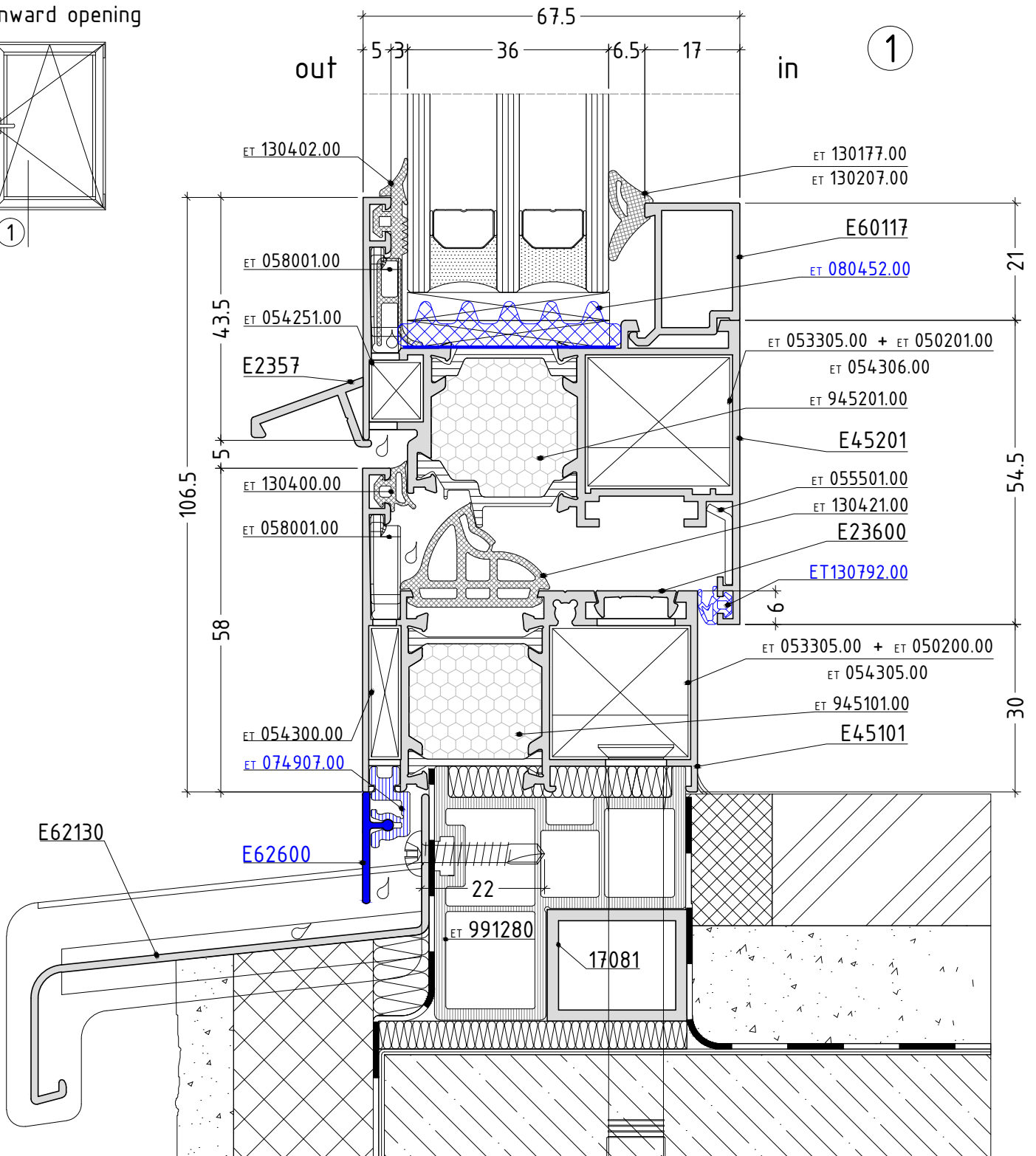


scale : 1:1

inward opening



1

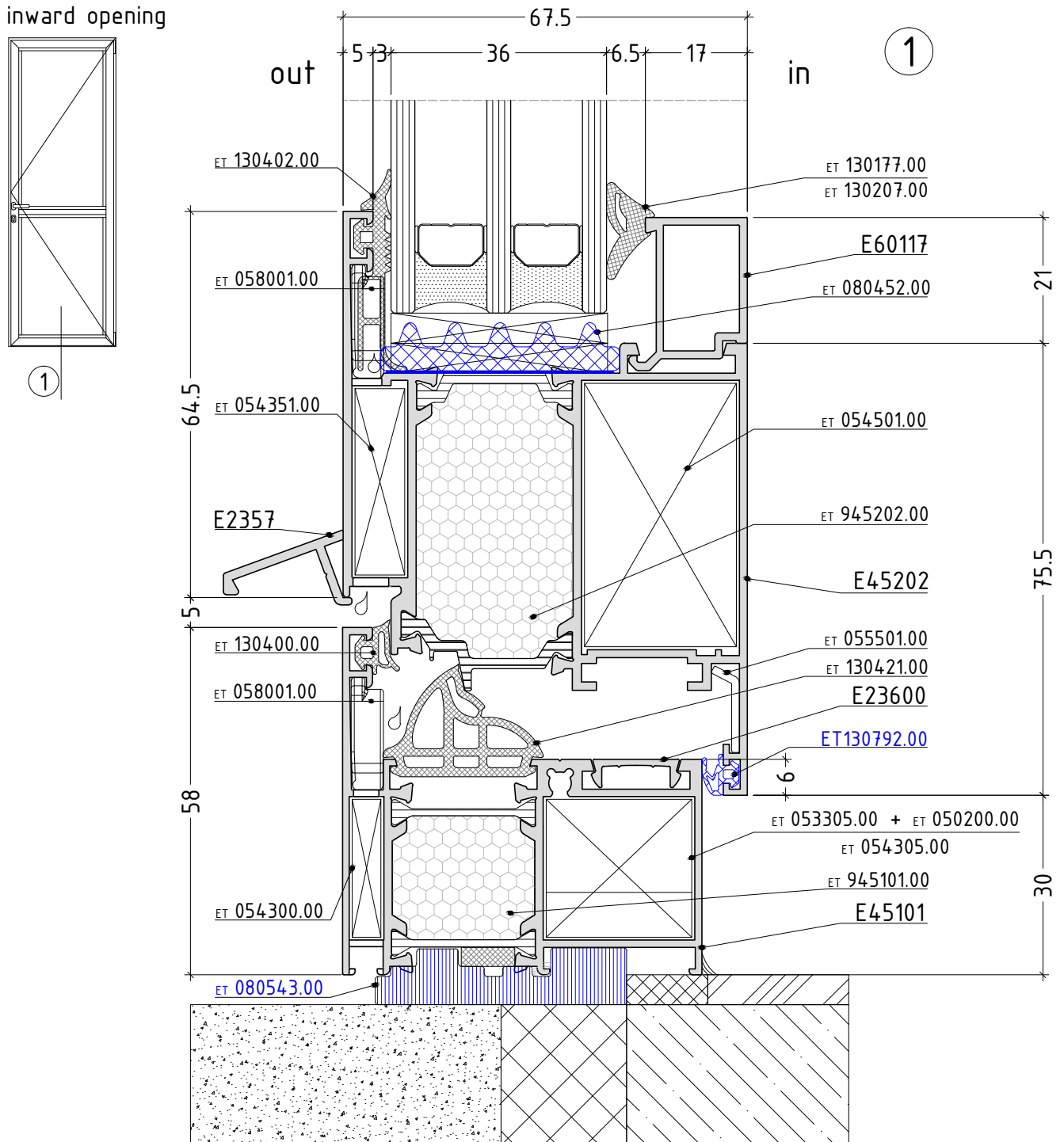


Interface shown on the drawing is an example ONLY!

Connection between backing wall and frame is specific for each single project. It is obligatory to observe different projects' features. All final decisions about materials used, interface finishing, etc. should be approved by the structural / façade engineer responsible for the specific project.

scale : 1:1

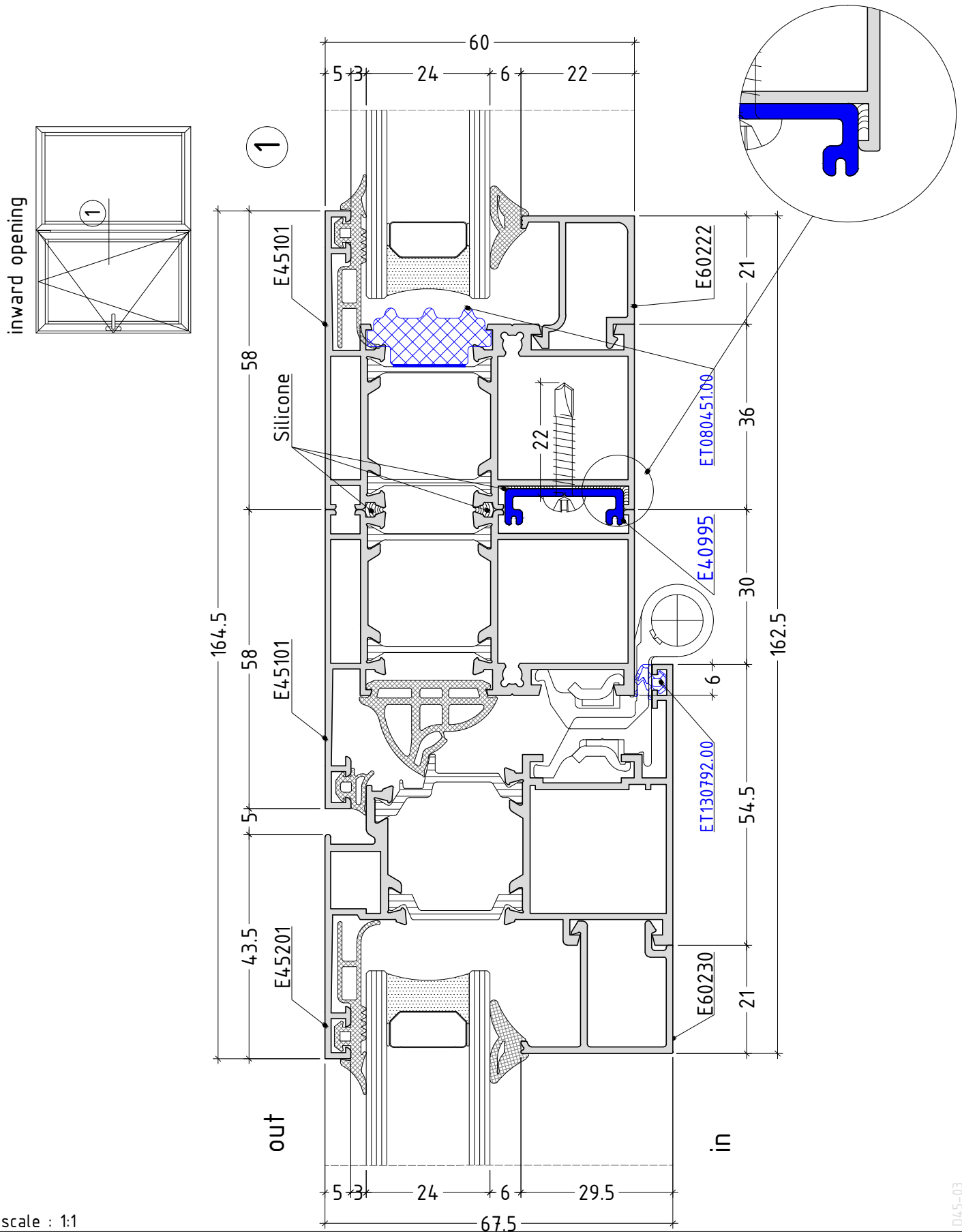
D45-01

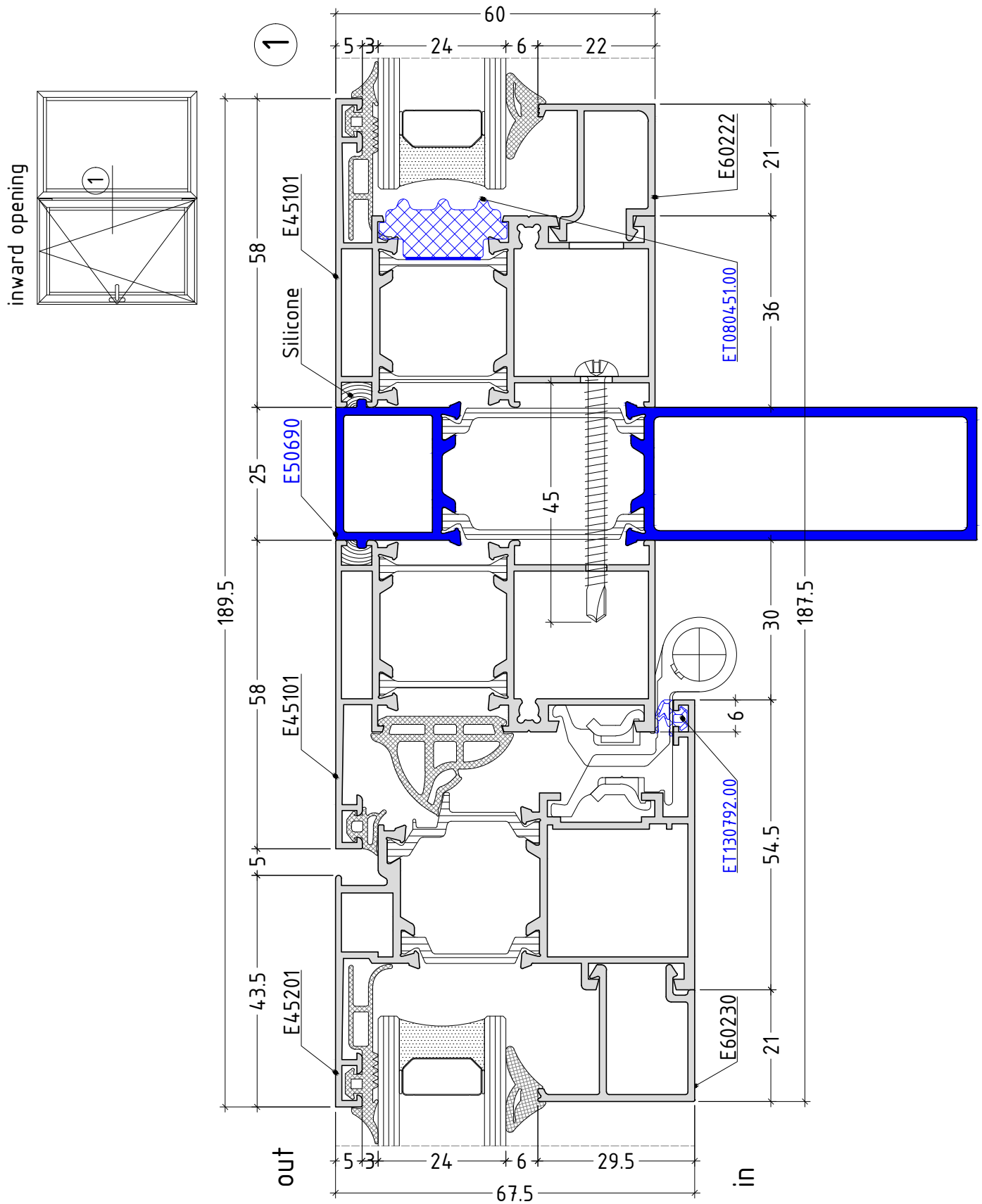


Interface shown on the drawing is an example ONLY!

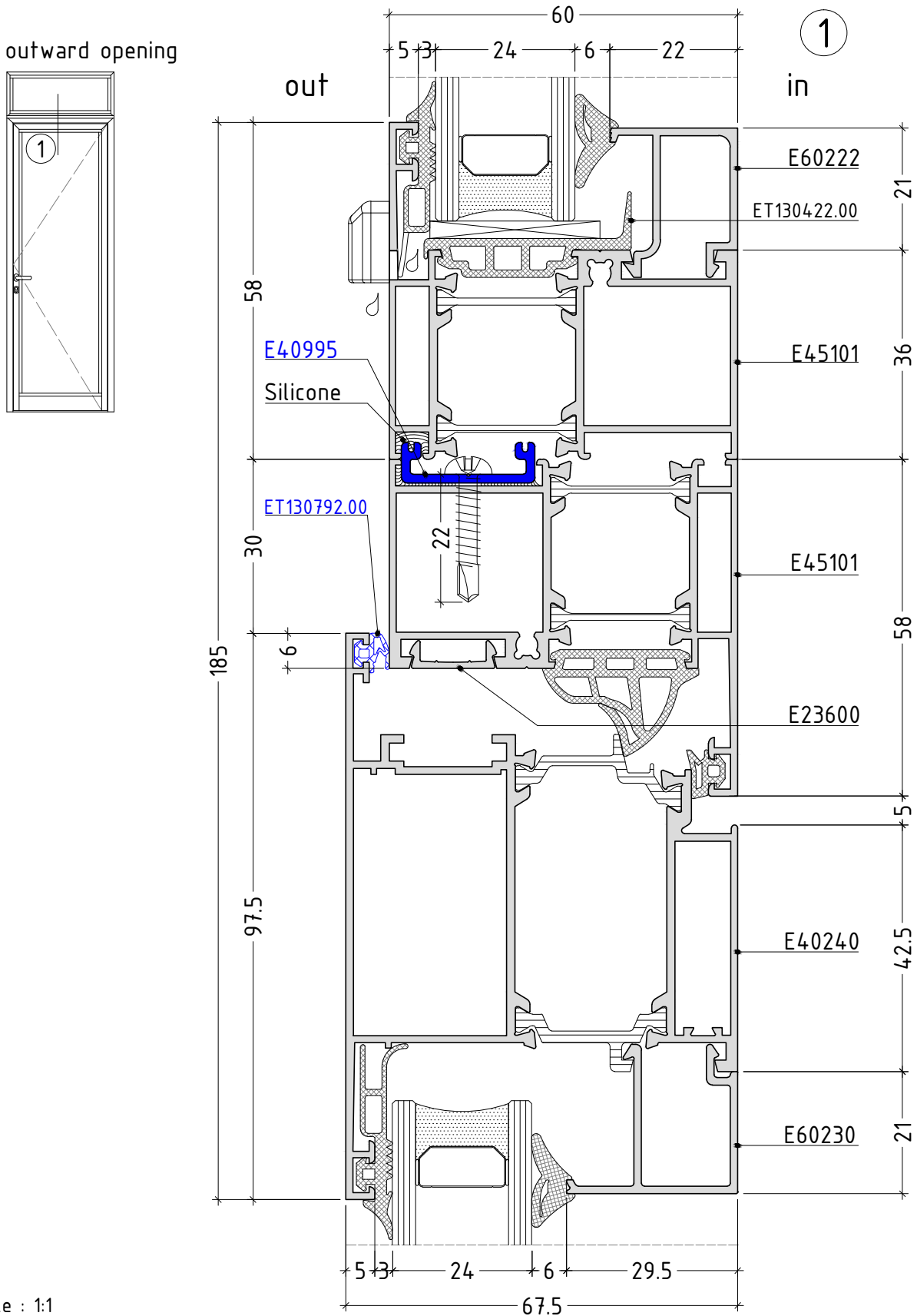
Connection between backing wall and frame is specific for each single project. It is obligatory to observe different projects' features. All final decisions about materials used, interface finishing, etc. should be approved by the structural / façade engineer responsible for the specific project.
 scale : 1:1

D45-02





scale : 1:1



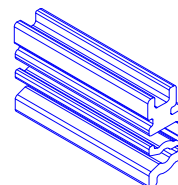
D45-05

opening system with thermal break

E45

code/description	package/pcs	colour
ET 074907.00	100 pcs	standard

PVC accessory "clips"



ET 130792.00	200 m	standard
--------------	-------	----------

EPDM gasket



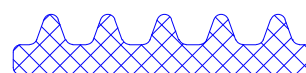
ET 080451.00	2 m	standard
--------------	-----	----------

additional insulator with
tape for glass frame E45



ET 080452.00	2 m	standard
--------------	-----	----------

additional insulator with
tape for glass sash E45

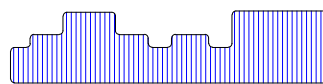


opening system with thermal break

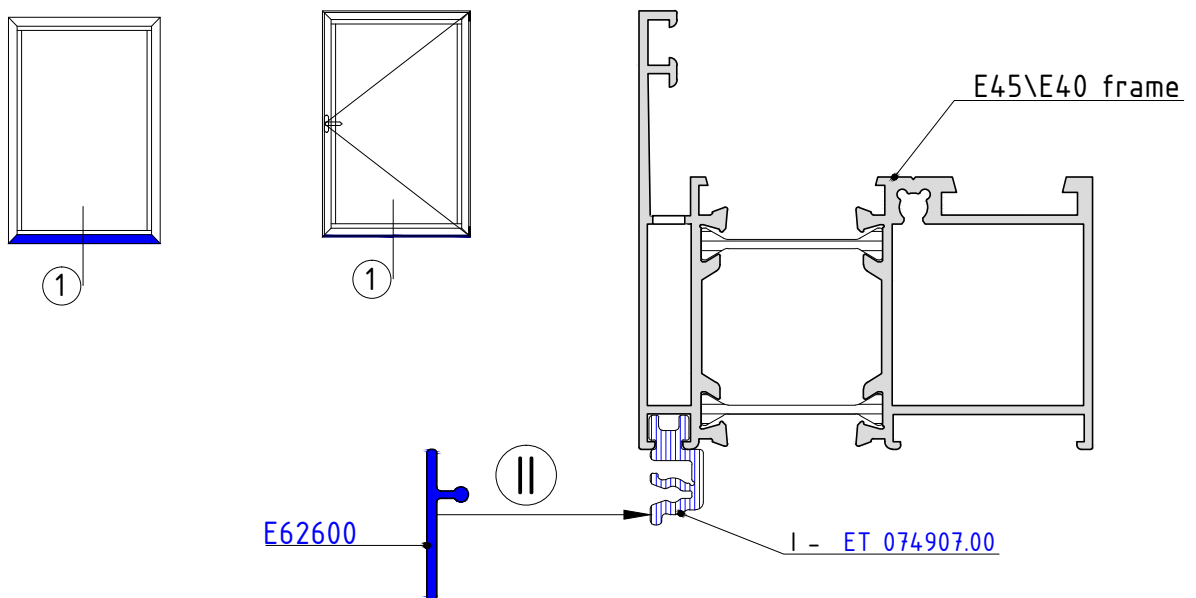
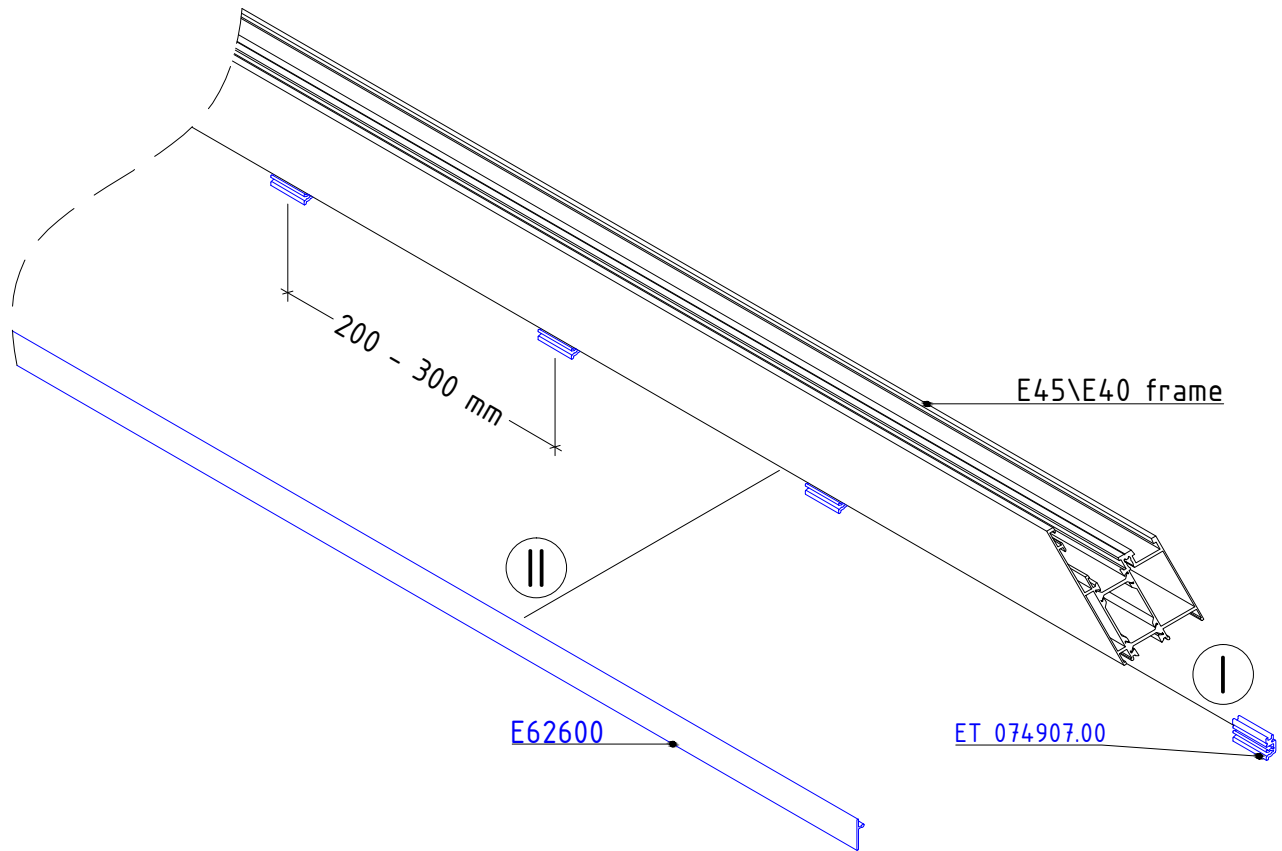
E45

code/description	package/pcs	colour
ET 080543.00	6 m	standard

PVC bearing profile for balcony doors

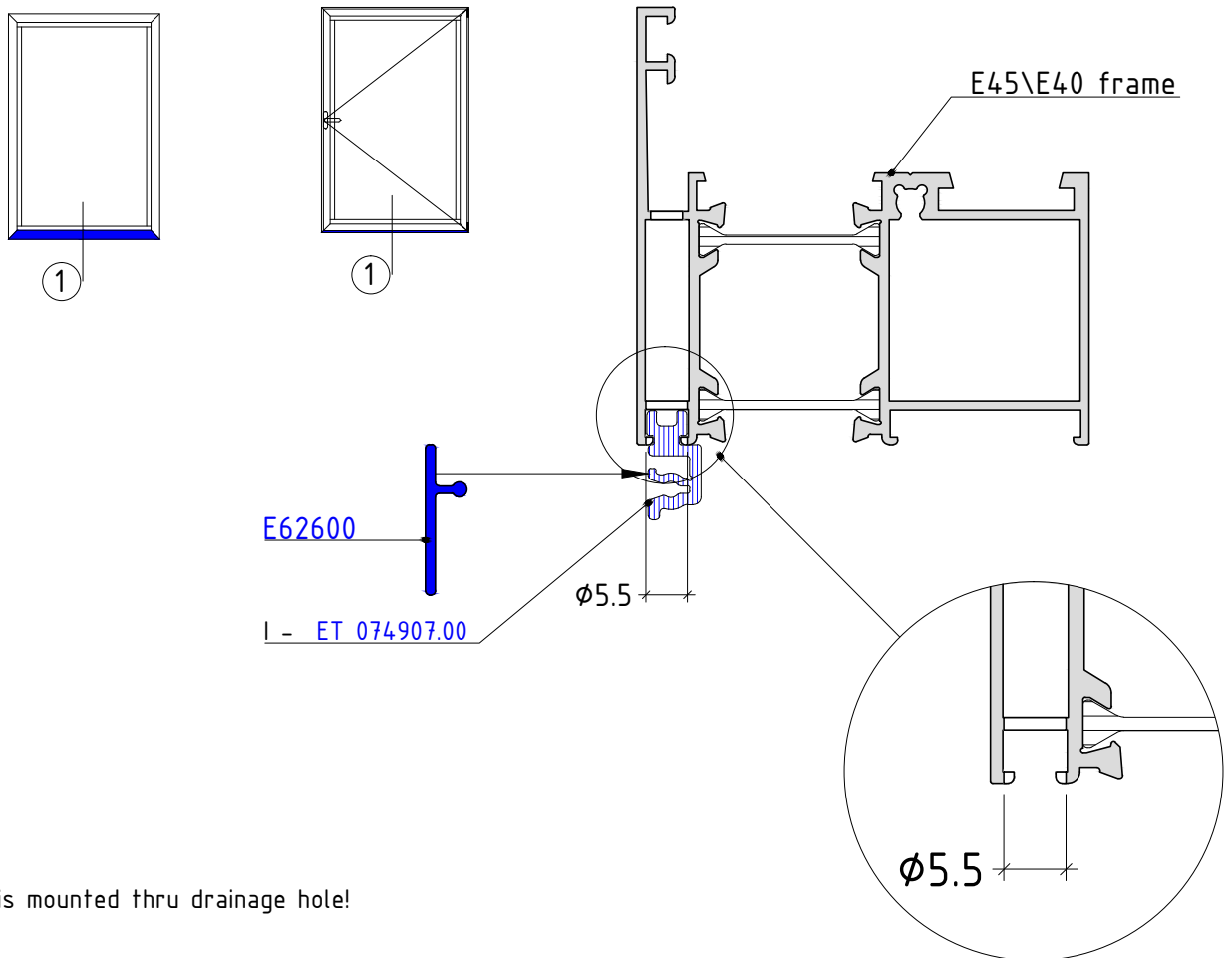
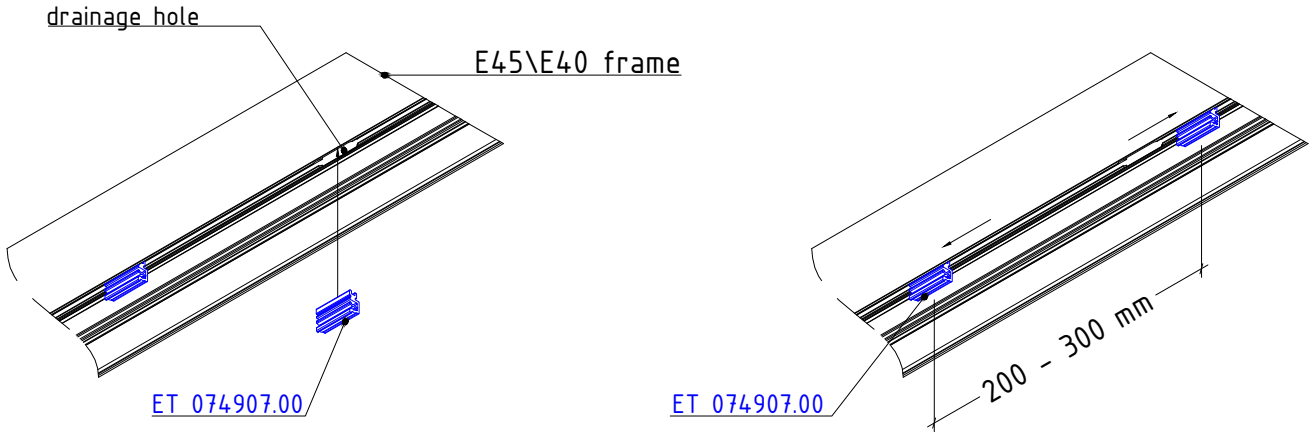


Sequence of assembly of ET 074907.00 and E62600 to frame E45\E40
Option - 1



Note:
ET 074907.00 must be mounted before crimping the frame!

Sequence of assembly of ET 074907.00 and E62600 to frame E45\E40
Option - 2



Note:
ET 074907.00 is mounted thru drainage hole!